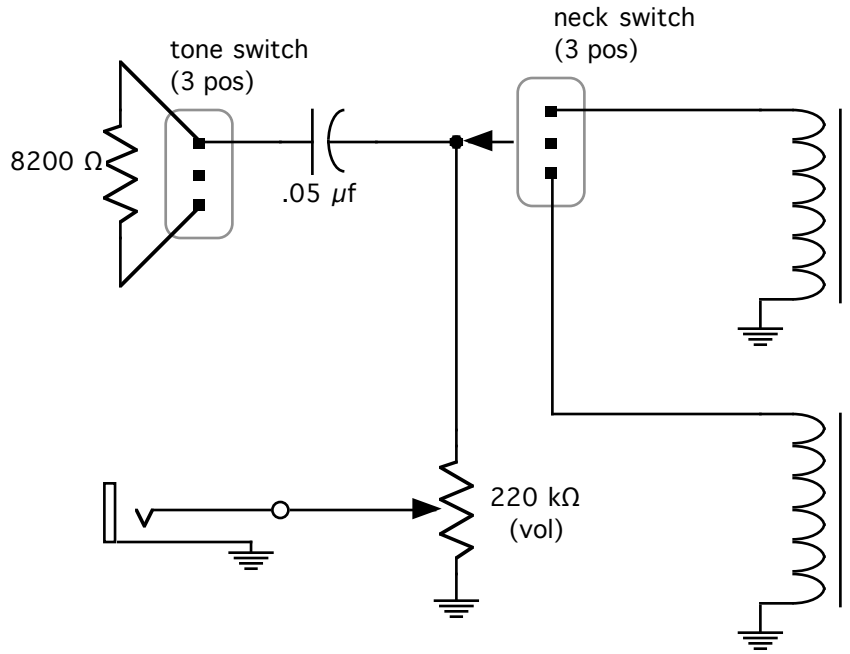


National Model 50



scale 23"
nut spacing 54 mm (8) = 7.71 mm
bridge spacing 64 mm (8) = 9.14 mm